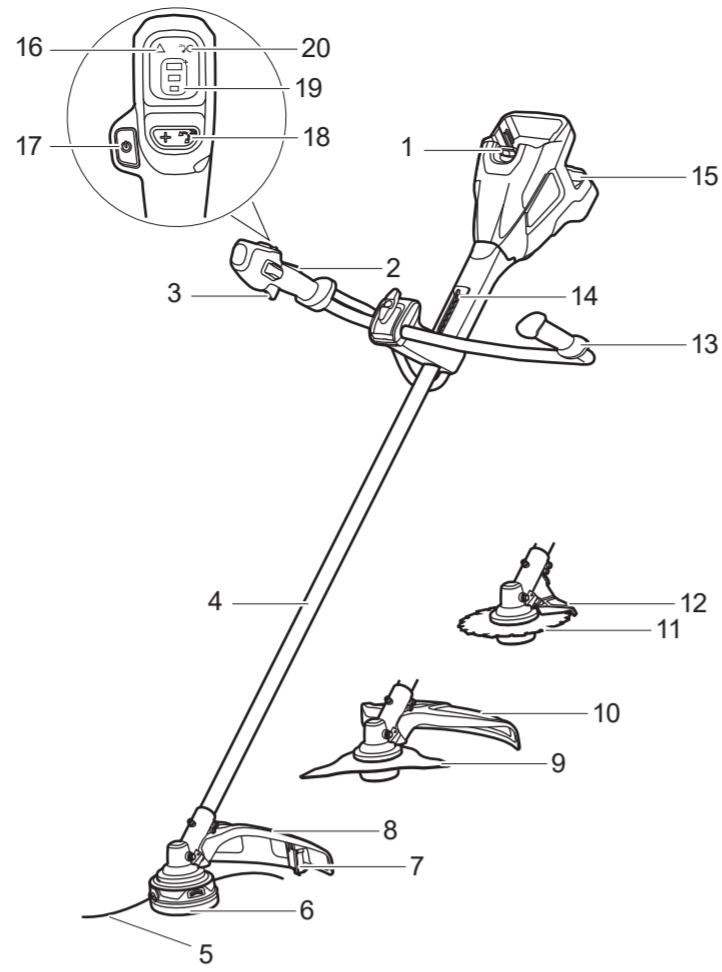


**STRING TRIMMER\*  
& BRUSH CUTTER  
& BRUSH SAW**

\*String Trimmer represents for Grass Trimmer  
Depending on the model purchased, packaging will contain  
different accessories and parts.  
Refer to the package for more details.

**KNOW YOUR PRODUCT**



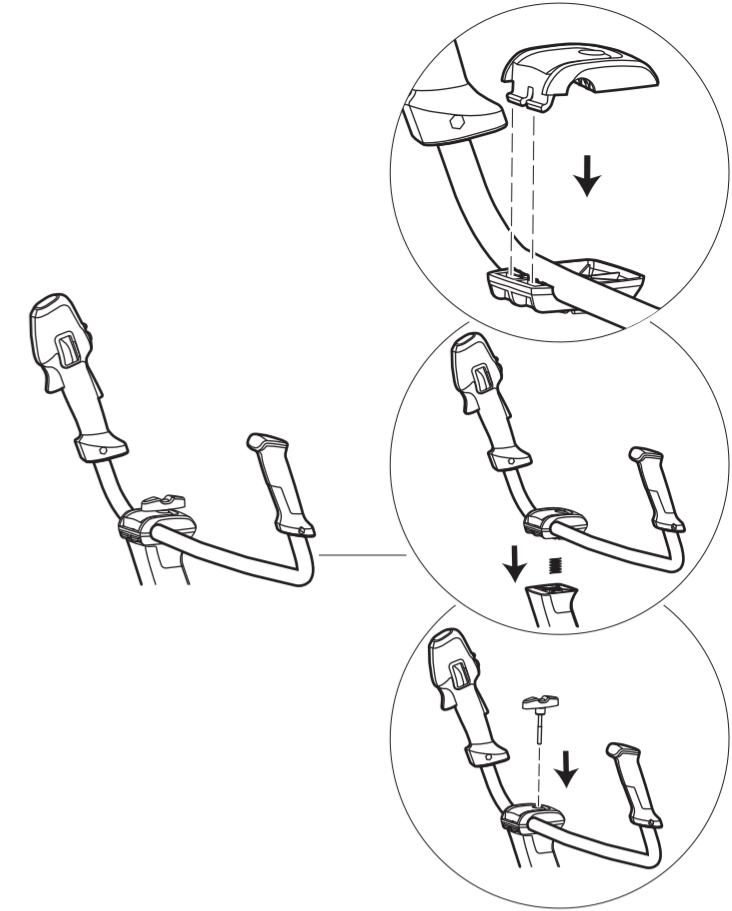
1. Battery release button
2. Safety-lock button
3. Trigger
4. Shaft
5. Cutting line
6. Trimmer head
7. String cut-off blade
8. Trimmer guard
9. Brush cutter blade
10. Brush cutter guard
11. Brush saw blade
12. Brush saw guard
13. Bike handle
14. Strap bracket
15. Battery compartment
16. Warning indicator
17. Power button
18. Speed button / Reverse button
19. Speed indicator
20. Reverse indicator

1

**ASSEMBLY**

**Install the bike handle**

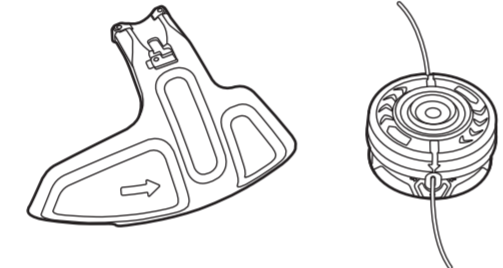
2



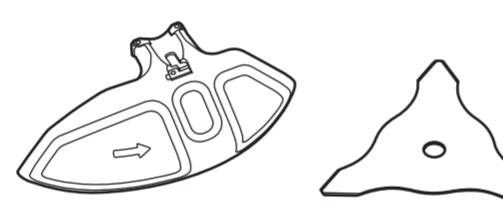
3

**Install the cutting equipment**

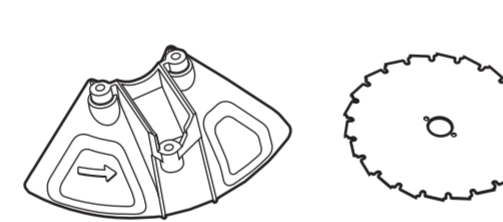
• Trimmer guard & trimmer head



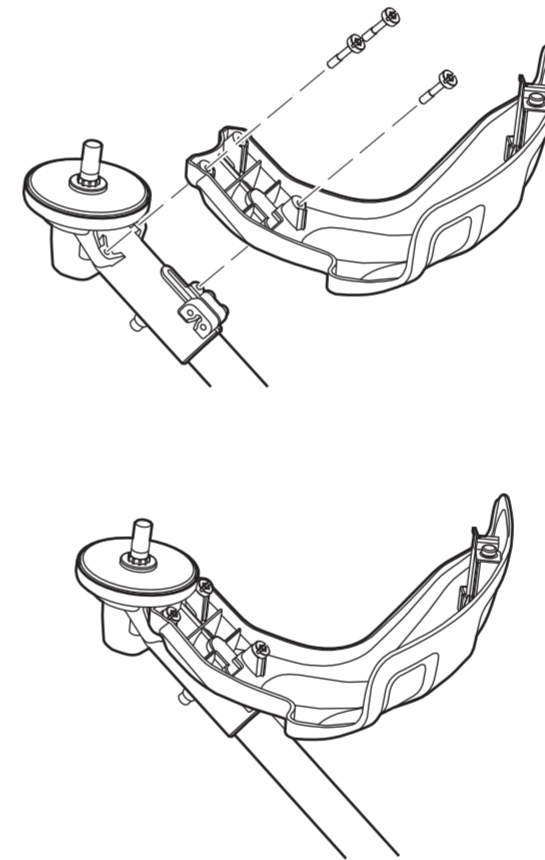
• Brush cutter guard & brush cutter blade



• Brush saw guard & brush saw blade

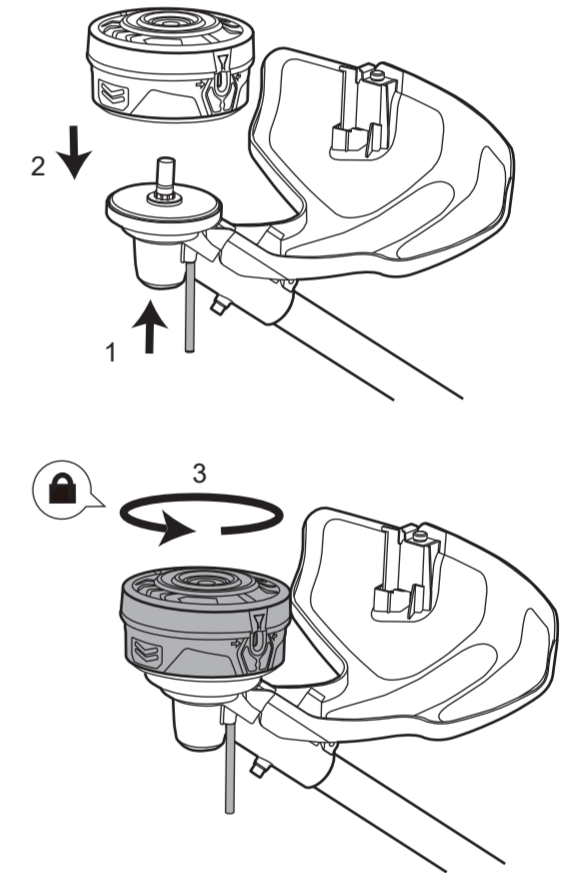


**Install the trimmer guard**



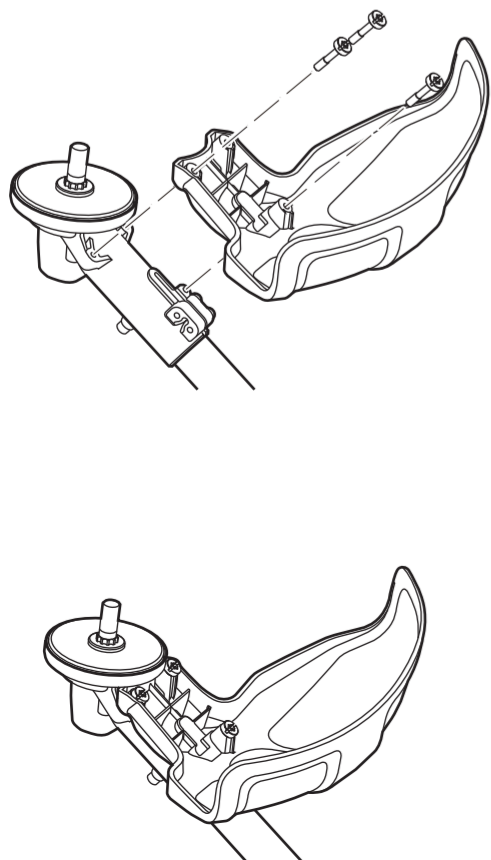
4

**Install the trimmer head**



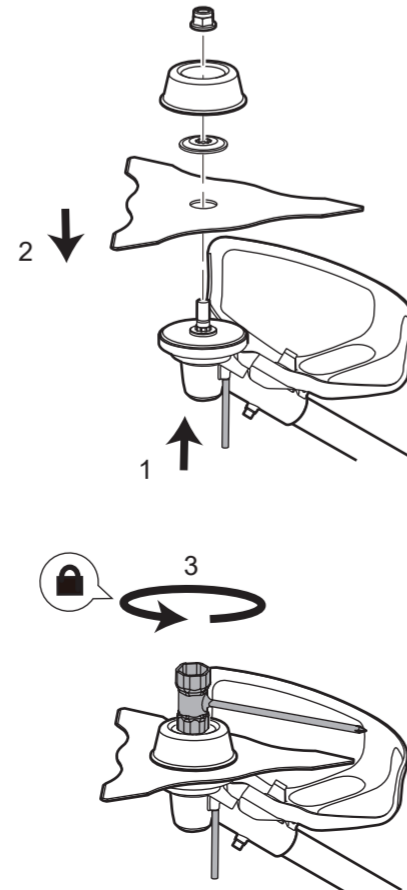
6

**Install the brush cutter guard**



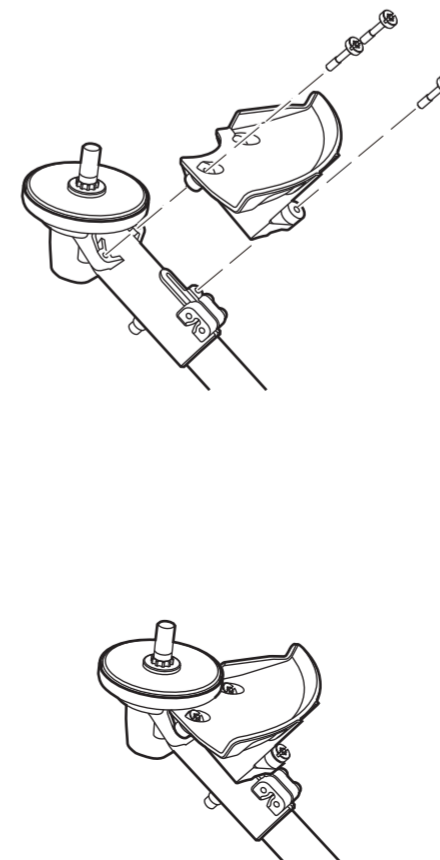
7

**Install the brush cutter blade**



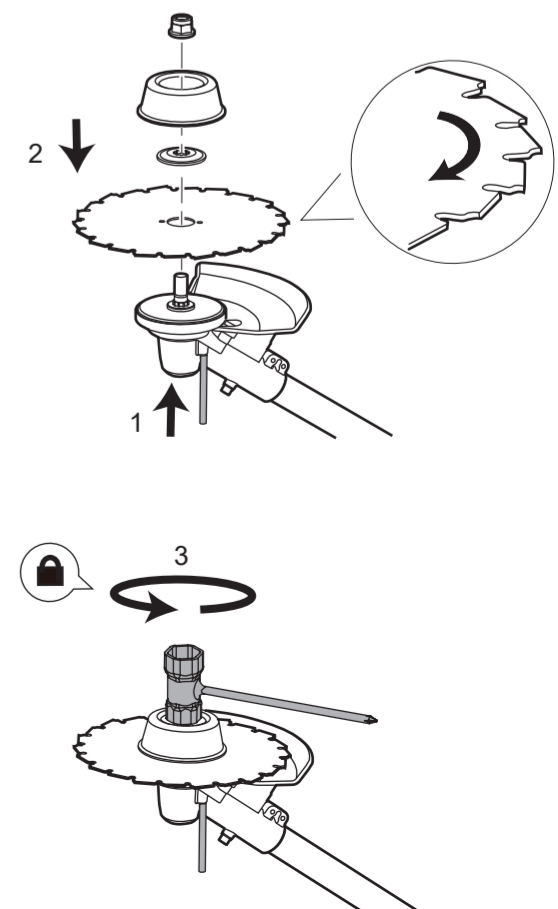
8

**Install the brush cutter guard**



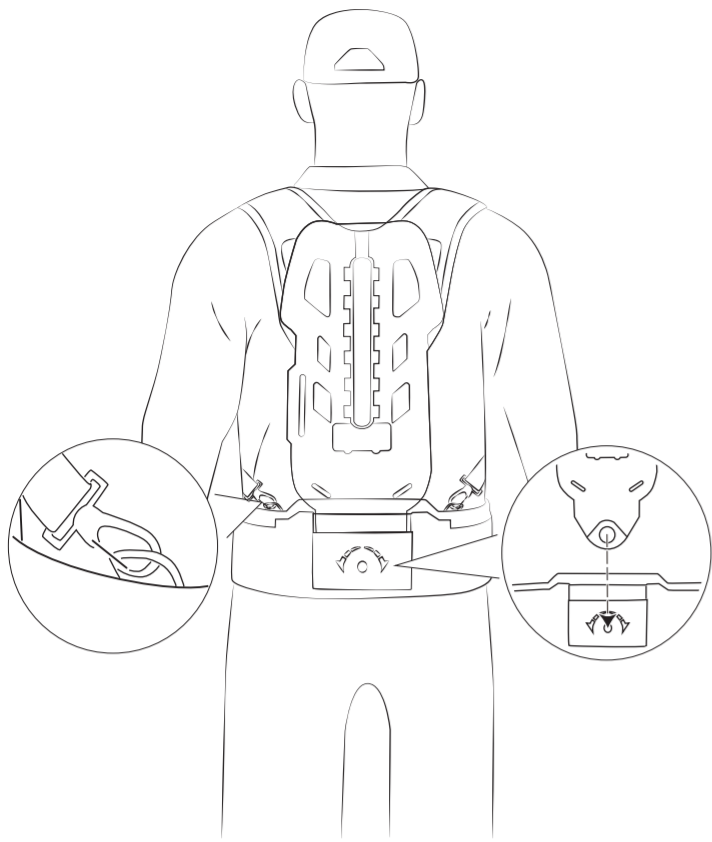
9

**Install the brush cutter blade**



Install the harness

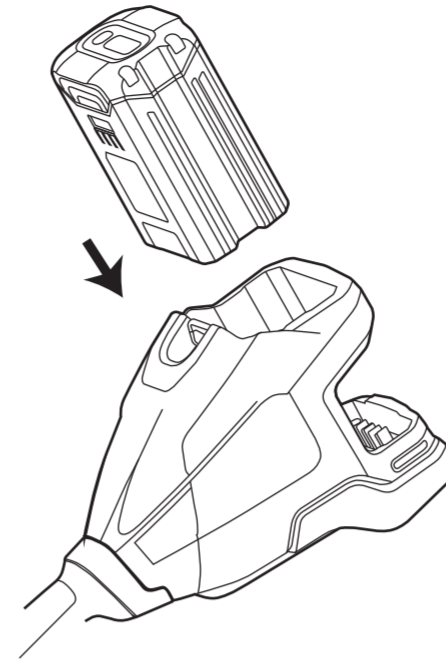
10



OPERATION

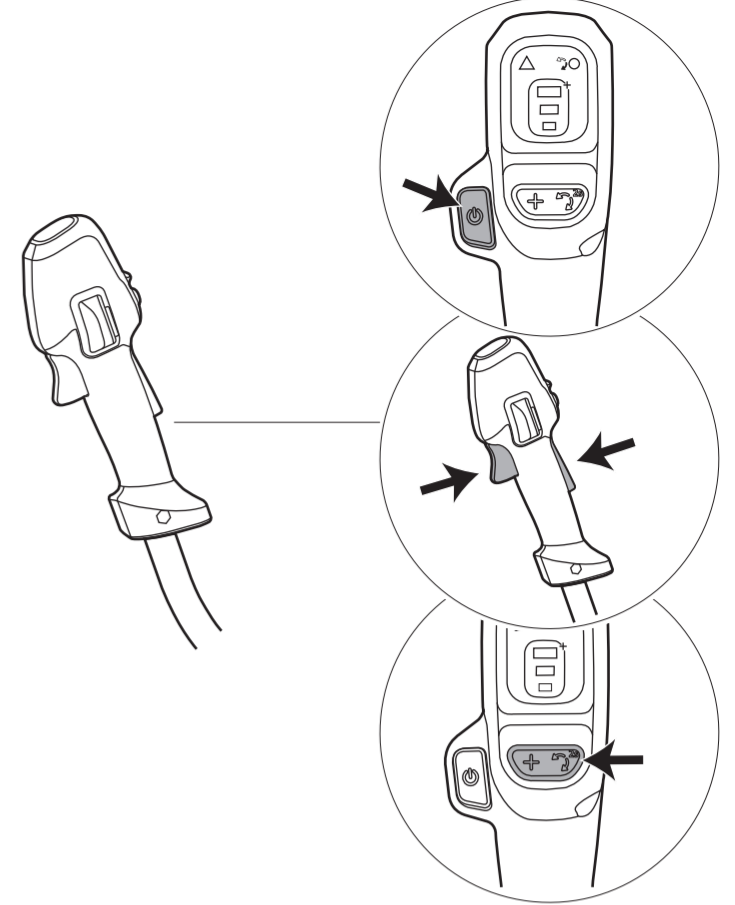
Connect the battery to the product

12



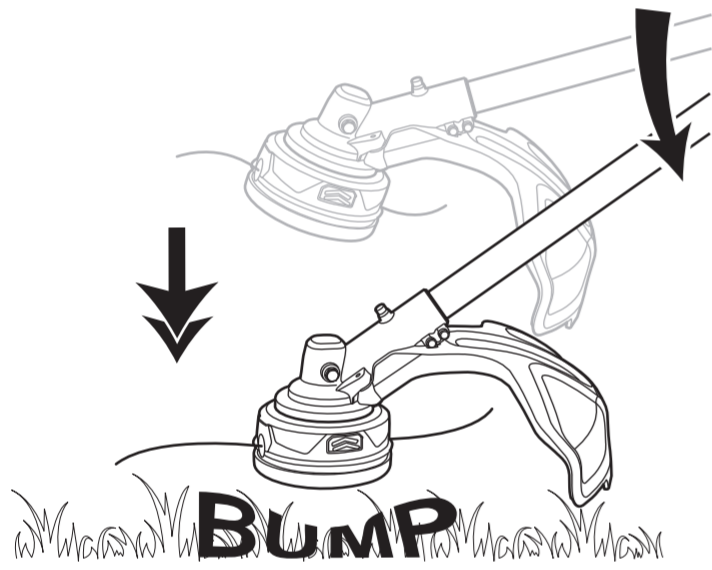
Start the product/Adjust the speed

13



Adjust the length of the cutting line

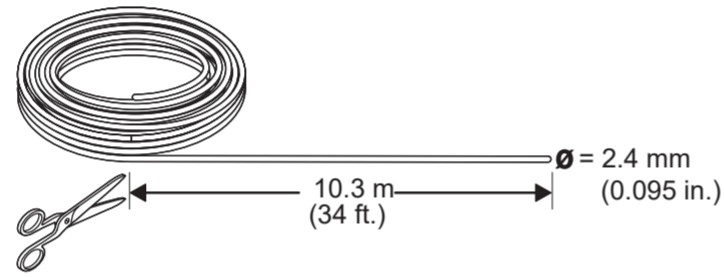
14



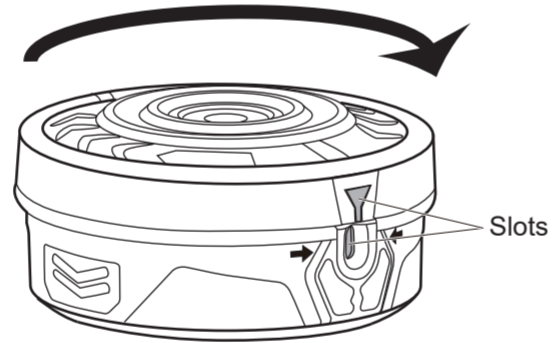
MAINTENANCE

Install additional cutting line

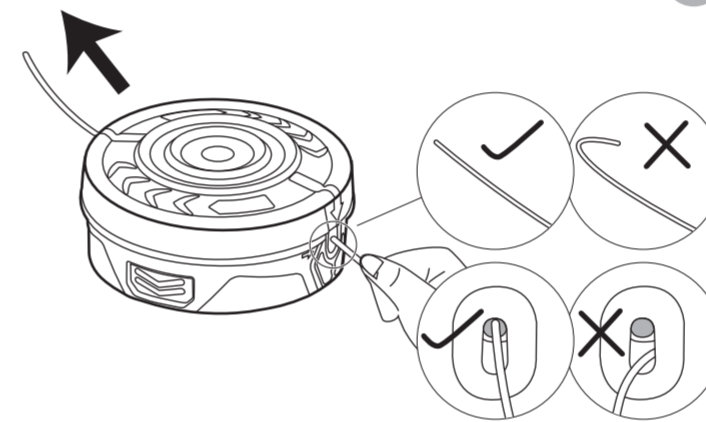
15



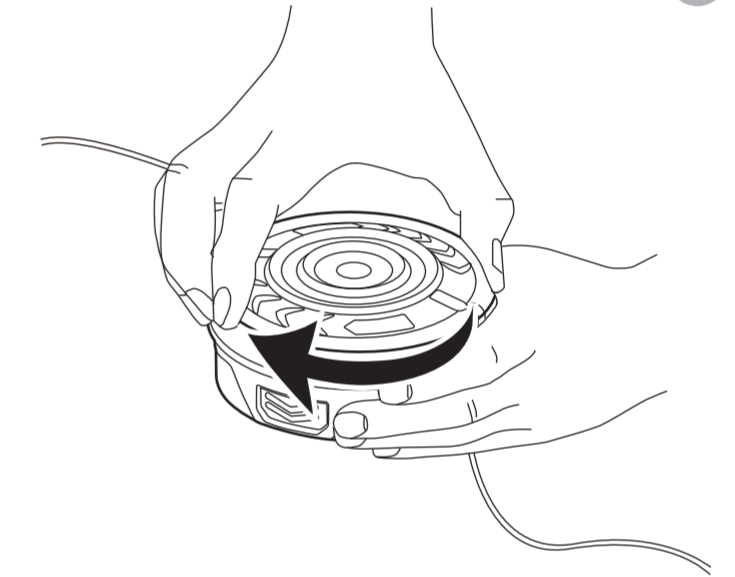
Push and rotate the spool cover to line up the slots.



16

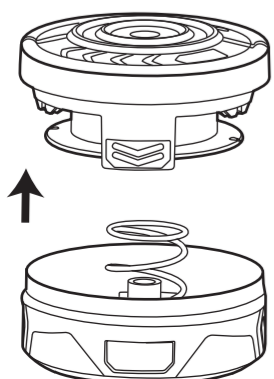
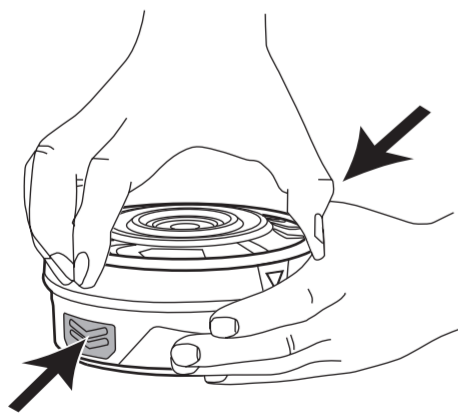


17

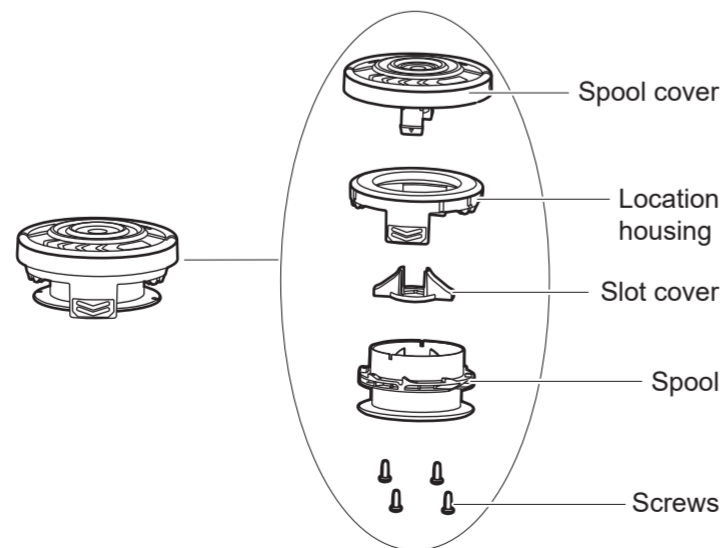


Replace the spool

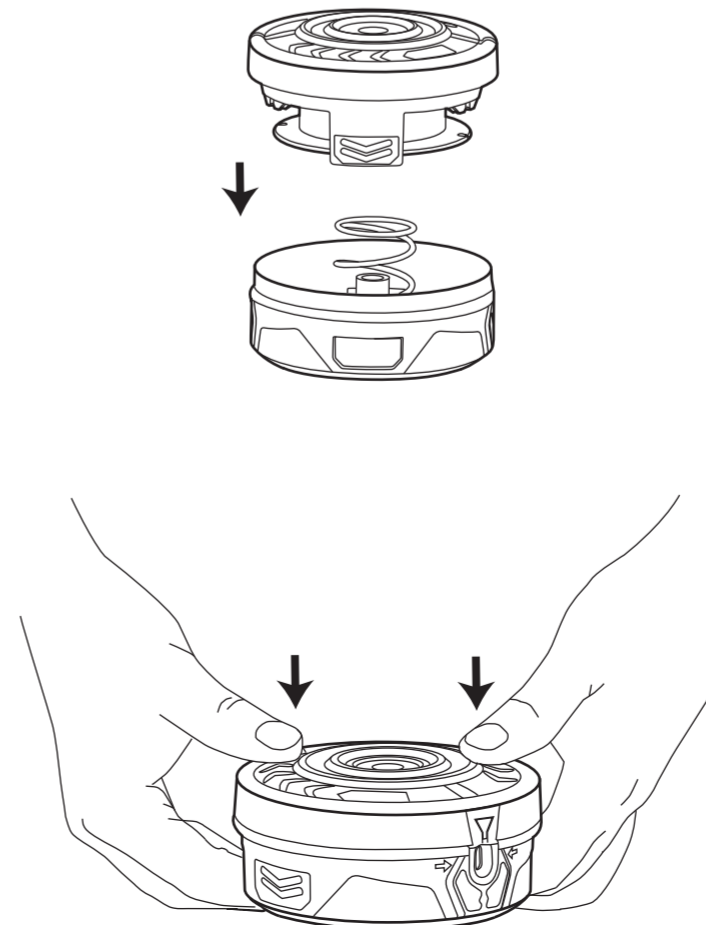
18



19

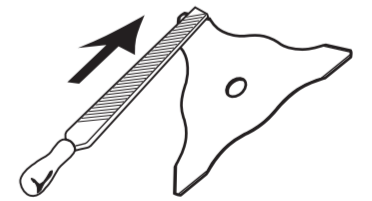


20



Sharpen the brush cutter blade

21



Sharpen the brush saw blade

